

Q U I C K U P

Quick Up

7/8/9/11/12/13/14



- Working height 45ft7in / 13,90 m (Quick Up 14)
- Stowed height 6ft6in / 1,97 m (from Quick Up 8 to 12)
- Platform capacity 351 lb / 159 kg (from Quick Up 8 to 12)



Quick Up

7/8/9/11/12/13/14

The Haulotte® advantages

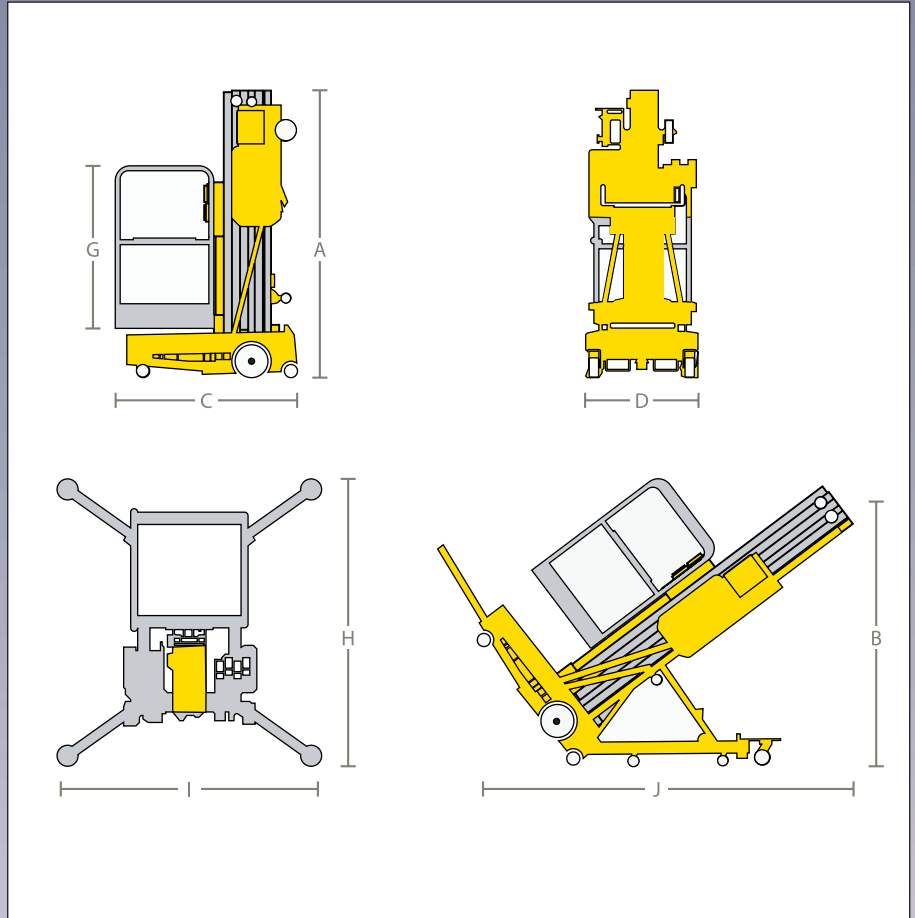
- Easy to install and set up.
- Easy "stand up" access through flip up top rail into basket.
- Only one man for loading and unloading.
- The Quick Up compact dimensions allows access through standard doorways.
- The Quick Up low weight allows works on fragile grounds.
- Cage and mast in aluminium.

STANDARD FEATURES

- Push button controls.
- 220V A/C power to platform.
- Ac power available.
- Emergency stop button.
- Outriggers indicator lights.
- Manual emergency valve.

OPTIONS

- Rough terrain type (Quick Up 7-8-9-11-12)
- DC power available



SPECIFICATIONS

	QUICK UP 7	QUICK UP 8	QUICK UP 9	QUICK UP 11	QUICK UP 12	QUICK UP 13	QUICK UP 14	
Working height	6.5 m / 21ft 4in	7.9 m / 25ft 11in	9.3 m / 30ft 6in	10.7m / 35ft 1in	12.0m / 39ft 4in	12.8m / 42ft 0in	13.9 m / 45ft 7in	
Platform height	4.5m / 14ft 9in	5.9m / 19ft 4in	7.3m / 23ft 11in	8.7m / 28ft 7in	10.0m / 32ft 10in	10.8m / 35ft 5in	11.9m / 39ft 1in	
Platform capacity	159 kg / 351 lb						136 kg / 300 lb	
Max Platform size	0.66 m x 0.68 m / 26 in x 27 in							
Ⓒ Stowed length	1.21m / 4ft 0in	1.27m / 4ft 2in	1.34m / 4ft 5in	1.4m / 4ft 7in	1.46m / 4ft 9in	1.34m / 4ft 5in	1.4m / 4ft 7in	
Ⓓ Stowed width	0.74m / 2ft 5in					0.80m / 2ft 7in		
Ⓐ Stowed height	1.97m / 6ft 6in					2.77m / 9ft 1in		
Ⓔ Guardrails height	1.1m / 3ft 7in							
Ⓘ x Ⓜ Outriggers footprint	1.40 m x 1.70 m 55 in x 67 in			1.60 m x 1.90 m 63 in x 75 in	1.81 m x 2.10 m 73 in x 85 in	1.81 m x 2.10 m 71 in x 83 in	2.02 m x 2.32 m 87 in x 91 in	
Ⓝ x Ⓟ Tilt bar	2.11 m x 1.75 m / 83 in x 69 in					2.82 m x 1.97 m / 111 in x 78 in		
Energy (AC)	12V							
Weight (AC version)	346 kg / 763 lb	366 kg / 807 lb	387 kg / 853 lb	408 kg / 900 lb	429 kg / 946 lb	501 kg / 1105 lb	512 kg / 1129 lb	
Energy (batteries)	110V ou 220V							
Weight (batteries version)	305 kg / 673 lb	326 kg / 719 lb	347 kg / 765 lb	368 kg / 811 lb	389 kg / 858 lb	461 kg / 1017 lb	472 kg / 1041 lb	

AS 1418.10



HAULOTTE UK LTD • STAFFORD PARK 6 • TELFORD - SHROPSHIRE TF3 3AT • TEL: +44 (0)1952 292753 • FAX: +44 (0)1952 292758 • E-mail: haulotte@haulotte.co.uk
 HAULOTTE SCANDINAVIA AB • ARÖDS INDUSTRIVÄG 66 B • 422 43 HISINGS BACKA - SWEDEN • TEL: +46 31 744 32 90 • FAX: +46 31 744 32 99 • E-mail: hwallin@haulottese.se • www.haulotte.se
 HAULOTTE AUSTRALIA PTY LTD • 65 LICOLA CRES • DANDENONG - VIC - 3175 • TEL: +61 (0)3 9706 6787 • FAX: +61 (0)3 9706 6797 • E-mail: sales@haulotte.com.au
 HAULOTTE SINGAPORE PTE. LTD • 26 Changi North Road Way • SINGAPORE 498812 • TEL: +65 6546 6150 • FAX: +65 6536 3969 • E-mail: haulotteasia@haulotte.com

