



Optimal productivity

- Full proportional controls and simultaneous boom functions
- Lifts to full height in 44 seconds

Outstanding rough terrain driving features

- 4 wheel drive
- Hydraulic differential lock
- 35 cm ground clearance

8.45 metre outreach provides a large working envelope





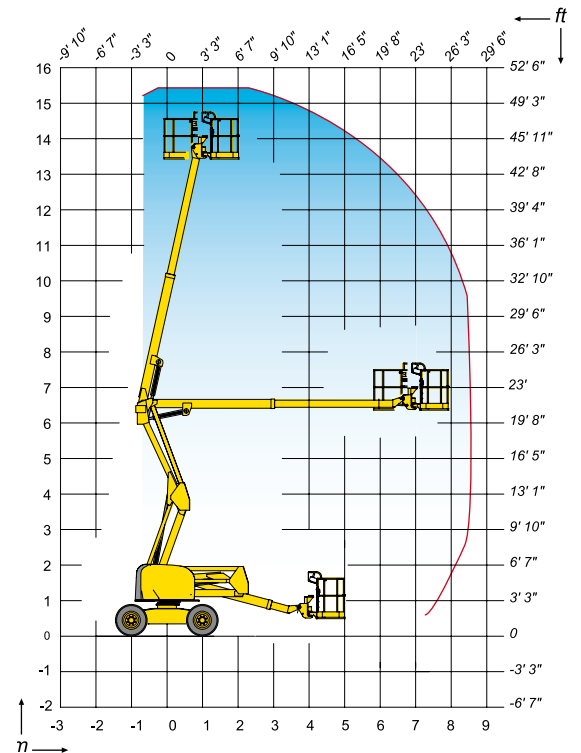
HA16 X

ROUGH TERRAIN ARTICULATING BOOMS

TECHNICAL DATA

HA16 X

Working height	15.45 m
Platform height	13.45 m
Horizontal outreach	8.45 m
Up and over clearance	6.75 m
Lift capacity	230 kg
F x G Platform size	1.8 x 0.8 m
A Length	6.7 m
Transport length	6.7 m
B Width	2.3 m
Width - with extended axles	N/A
C Height - stowed	2.08 m
Transport height	2.08 m
Vertical jib rotation	N/A
Platform rotation	180° (+90/-90)
Turntable rotation	350 °
Tailswing	0 m
D Wheelbase	2 m
E Ground clearance	35 cm
Tilt	5 °
Drive speed	1.5 - 6 km/h
Gradeability	45 %
Turning radius - outside	4.65 m
Tires - foam-filled	14-17.5
Power source	31.2 kW - 42.4 hp
Weight	6500 kg

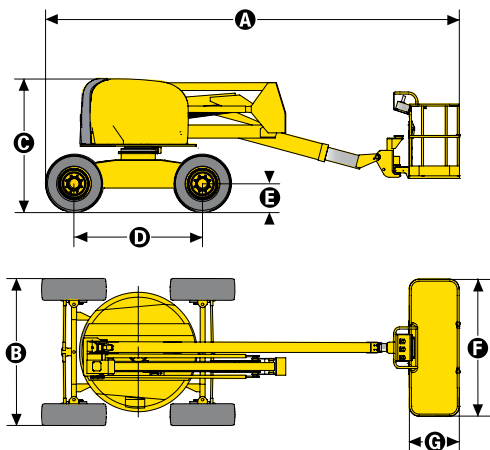


STANDARD EQUIPMENT

- 4 wheel drive
- Load Management System in the platform
- 5° tilt alarm
- 12 V – 760 A – 92 AH battery / electrical control system
- Auxiliary power in the platform for emergency descent
- Horn
- Hourmeter
- Brake release
- Slewing block pin
- Towing hooks / lifting eyes
- 2 hooks for safety harness in cage

OPTIONS AND ACCESSORIES

- Large basket 2.3 x 0.80 m
- Power to platform
- Travel alarm
- Rotating beacon
- Working light
- Catalytic exhaust
- Biodegradable oil



Authorised Reseller : Shakti Equipments Pvt. Ltd.

Block No. 140, Near Vitawa Octroi Naka, Thane Belapur Road, Vitawa, Thane West - 400 605.

Tel: +91 - 22 - 2542 0127 Email: info@shaktiequipments.com