



Exceptional productivity

- Load capacity up to 450 kg (C8W and C10)
- Driveable at full height
- Both inside and outside use with the same load capacity
- Extended platform
- Width of 1.20 m
- Long working cycles

Robust, reliable, easy to maintain



Haulotte 
GROUP

More than lifting





COMPACT 10

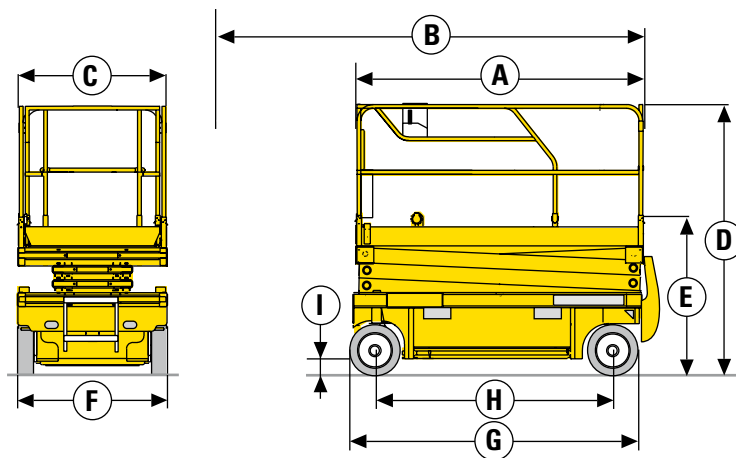


ELECTRIC SCISSOR LIFTS

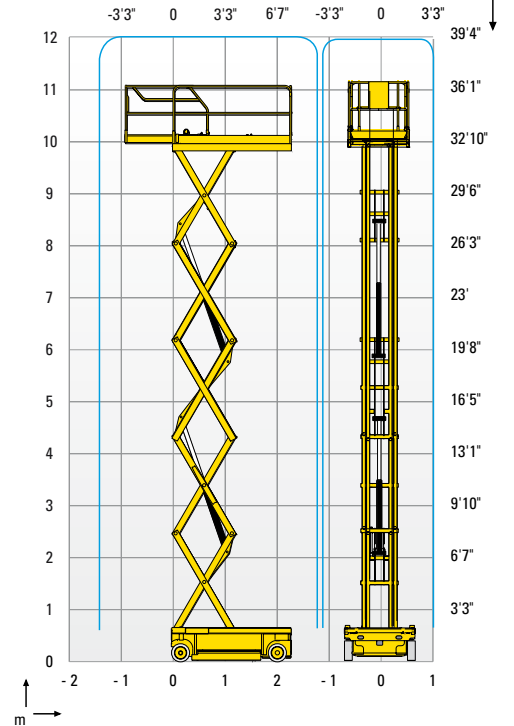
TECHNICAL DATA

Compact 10

Working height	10.15 m
Platform height	8.15 m
Driveable at full height up to	8.15 m
Lift capacity - inside	450 kg
Lift capacity - outside	450 kg
A Platform length - outside	2.3 m
B Platform length - extended	3.22 m
Length - extension	0.92 m
C Platform width - outside	1.2 m
E Storage height	1.4 m
D Height - stowed	2.26 m
F Overall width	1.2 m
G Length	2.45 m
H Wheelbase	1.86 m
I Ground clearance - Centre	13 cm
Ground clearance - Pothole guards deployed	2.5 cm
Drive speed	1 - 3.5 km/h
Gradeability	23 %
Tilt	2 °
Lift / lower speed	51 s / 42 s
Turning radius - outside	2.5 m
Tyres - non marking	15x5
Batteries	24 V - 255 Amph (C5)
Hydraulic system capacity	25 l
Weight	2330 kg



Compact 12



STANDARD EQUIPMENT

- Pothole guards
- Battery charge indicator
- Proportional lift and drive
- Removable control box in platform
- Swing out component tray
- Battery charger with automatic stop
- Solid non-marking tyres
- Free wheeling device
- Tilt controller
- Load Management System in the platform
- Manual platform lowering valve
- Integrated forklift pockets
- Towing hooks
- Horn
- Hourmeter

OPTIONS AND ACCESSORIES

- Flashing light
- Travel alarm
- Working light
- Power to platform
- Biodegradable hydraulic oil
- Folding guardrails
- Maintenance-free batteries
- Traction batteries
- Centralised battery filling



Authorised Reseller : Shakti Equipments Pvt. Ltd.

Block No. 140, Near Vitawa Octroi Naka, Thane Belapur Road, Vitawa, Thane West - 400 605.

Tel: +91 - 22 - 2542 0127 Email: info@shaktiequipments.com