



COMPACT 10N

Optimum compactness

- Width of 81 cm to operate in the most congested areas
- Compact stowed height for easy access through standard doorways

Exceptional productivity

- Load capacity up to 350 kg (Compact 8)
- Driveable at full height
- Extended platform
- Long working cycles

Reliable, easy to maintain



Haulotte 
GROUP
More than lifting





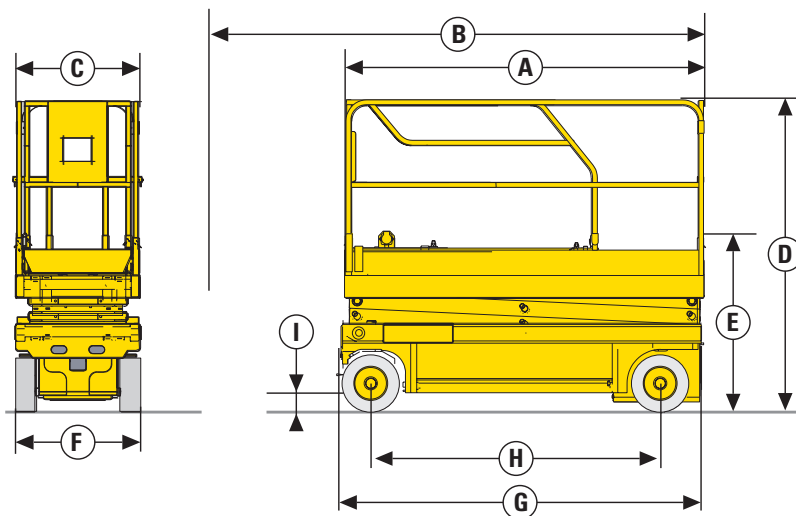
COMPACT 10N

ELECTRIC SCISSOR LIFTS

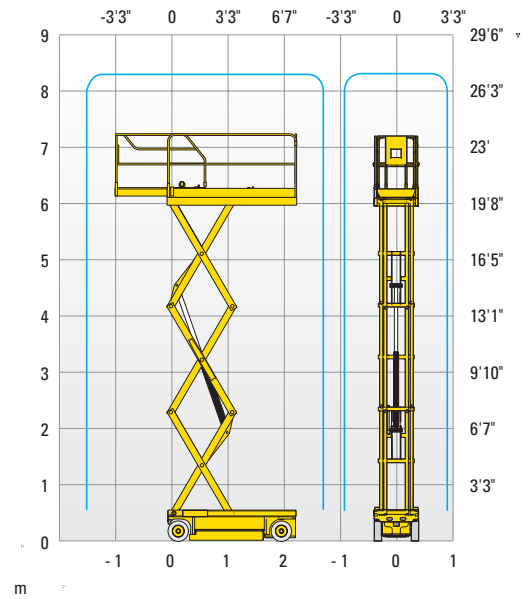
TECHNICAL DATA

COMPACT 10N

Working height	10 m
Platform height	8 m
Driveable at full height up to	8 m
Lift capacity - inside	230 kg
Lift capacity - outside	N/A
A Platform length - outside	2.31 m
B Platform length - extended	3.23 m
Length - extension	0.92 m
C Platform width - outside	0.81 m
E Storage height	1.32 m
D Height - stowed	2.18 m
F Overall width	0.81 m
G Length	2.49 m
H Wheelbase	1.86 m
I Ground clearance - Center	13 cm
Ground clearance - Pothole guards deployed	2.5 cm
Drive speed	1 - 3.2 km/h
Gradeability	23 %
Tilt	2 °
Lift / lower speed	36 s / 42 s
Turning radius - outside	2.38 m
Non-marking tires	15x5
Batteries	24 V - 25 Ah (C20)
Hydraulic system capacity	27 l
Weight	2 190 kg



Compact 8



STANDARD EQUIPMENT

- Pothole guards
- Battery charge indicator
- Proportional lift and drive
- Folding handrails (C10N)
- Swing out component tray
- Battery charger with automatic stop
- Solid non-marking tyres
- Free wheeling device
- Tilt controller
- Load Management System in the platform
- Manual platform lowering valve
- Integrated forklift pockets
- Towing hooks
- Horn
- Hourmeter

OPTIONS AND ACCESSORIES

- Flashing light
- Travel alarm
- Working light
- Power to platform
- Biodegradable hydraulic oil
- Folding guardrails (C8)
- Centralised battery filling



Authorised Reseller : Shakti Equipments Pvt. Ltd.

Block No. 140, Near Vitawa Octroi Naka, Thane Belapur Road, Vitawa, Thane West - 400 605.

Tel: +91 - 22 - 2542 0127 Email: info@shaktiequipments.com