



## COMPACT 10 DX



- Compact and highly manoeuvrable
- Increased working area.
- Excellent gradeability (40%).
- Standard 4 wheel drive.



# COMPACT 10 DX

# Rough-terrain scissor lifts

## The Haulotte® advantages

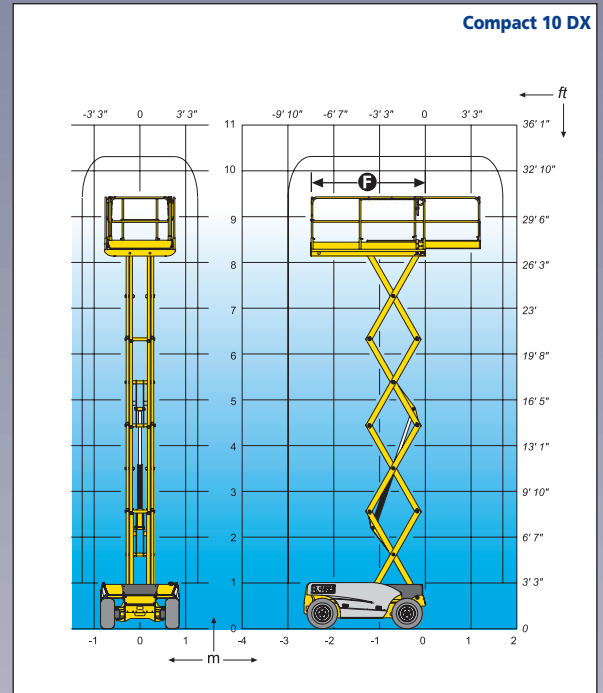
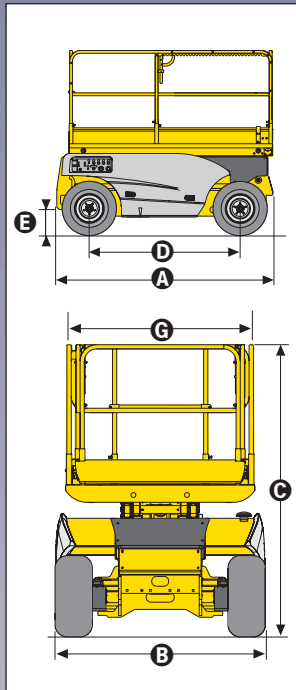
- Hydraulic differential lock for improved rough terrain traction
- Full proportional controls
- Robust, reliable and easy to maintain design
- Tight turning radius provides excellent manoeuvrability

## STANDARD FEATURES

- Deutz engine
- 4 wheel drive with 2 front steer wheels
- 3° Tilt alarm
- 1,2m (47 in) platform extension
- 12V - 70 Ah Batteries
- Removable operator's control box
- Free wheeling device
- Hourmeter
- Towing hooks / lifting eyes
- Hydraulic brakes
- Manual emergency lowering control at ground level
- Foam filled all terrain tyres
- Side protection
- Horn
- Safety harness anchor points

## OPTIONS & ACCESSORIES

- Rotating beacon
- Power line in cage
- Collapsible handrails
- Automatic levelling outriggers
- Work light
- Catalytic exhaust
- Biodegradable oil
- Motion alarm for movements and translation
- Non-marking tyres
- Cold weather kit



## SPECIFICATIONS

	Compact® 10 DX	
Working height	10,2 m	33 ft 5 in
Platform height	8,2 m	27 ft
Platform capacity	565 kg	1,245 lb
<b>A</b> Length	2,65 m - 8 ft 8 in	
<b>B</b> Width	1,80 m - 6 ft	
<b>C</b> Stowed height (guardrail)	2,37 m	7 ft 10 in
Stowed height (platform)	1,5 m	4 ft 11 in
<b>D</b> Wheelbase	1,87 m - 6 ft 1 in	
<b>E</b> Ground clearance	25 cm - 10 in	
<b>F</b> x <b>G</b> Platform size	2,5 x 1,54 m - 8 ft 2 in x 5 ft 1 in	
Platform extension	1,2 m - 47 in	
Drive speed	0,8 / 5,5 km/h - 0,5 / 3,4 mph	
Outside turning radius	3,73 m - 12 ft 3 in	
Inside turning radius	1,45 m - 4 ft	
Lift / lower speed (s)	35 / 40 sec.	
Power source	Deutz 18kW - 24.5 hp	
Gradeability	40%	
Brakes	Hydraulic	
Tyres (foam filled)	26 x 12-12	
Hydraulic tank	80 l - 17,6 gal	
Fuel tank	30 l - 6,60 gal	
Weight	3 330 kg	7300 lb

AS1418.10



**Haulotte**

Authorised Reseller : Shakti Equipments Pvt. Ltd.

Block No. 140, Near Vitawa Octroi Naka, Thane Belapur Road, Vitawa, Thane West - 400 605.

Tel: +91 - 22 - 2542 0127 Email: info@shaktiequipments.com