



COMPACT 12 DX



- Compact and highly manoeuvrable
- Increased working area.
- Excellent gradeability (40%).
- Standard 4 wheel drive.



COMPACT 12 DX

Rough-terrain scissor lifts

The Haulotte® advantages

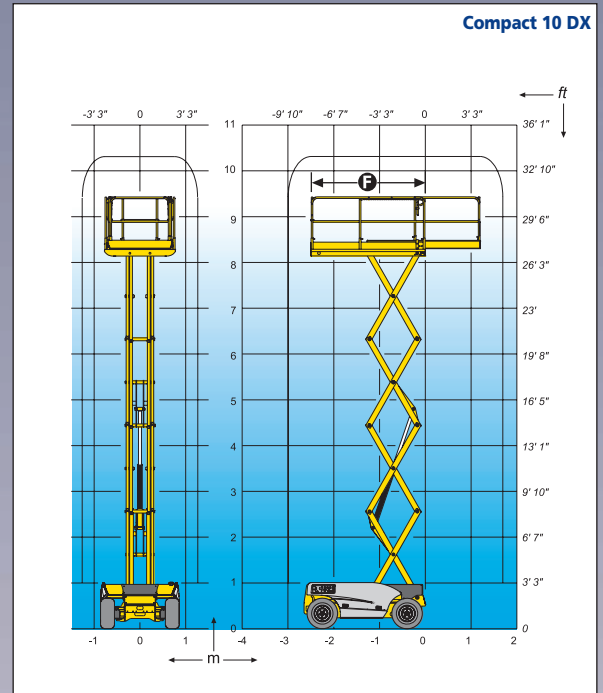
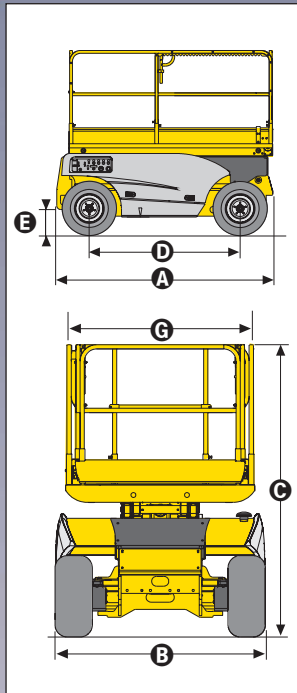
- Hydraulic differential lock for improved rough terrain traction
- Full proportional controls
- Robust, reliable and easy to maintain design
- Tight turning radius provides excellent manoeuvrability

STANDARD FEATURES

- Deutz engine
- 4 wheel drive with 2 front steer wheels
- 3° Tilt alarm
- 1,2m (47 in) platform extension
- 12V - 70 Ah Batteries
- Removable operator's control box
- Free wheeling device
- Hourmeter
- Towing hooks / lifting eyes
- Hydraulic brakes
- Manual emergency lowering control at ground level
- Foam filled all terrain tyres
- Side protection
- Horn
- Safety harness anchor points

OPTIONS & ACCESSORIES

- Rotating beacon
- Power line in cage
- Collapsible handrails
- Automatic levelling outriggers
- Work light
- Catalytic exhaust
- Biodegradable oil
- Motion alarm for movements and translation
- Non-marking tyres
- Cold weather kit



SPECIFICATIONS

	Compact® 12 DX	
Working height	12.15 m	40 ft
Platform height	10.15 m	33 ft 3 in
Platform capacity	450 kg	992 lb
A Length	2,65 m - 8 ft 8 in	
B Width	1,80 m - 6 ft	
C Stowed height (guardrail)	2,54 m - 8 ft 4 in	
Stowed height (platform)	1,68 m - 5 ft 6 in	
D Wheelbase	1,87 m - 6 ft 1 in	
E Ground clearance	25 cm - 10 in	
F x G Platform size	2,5 x 1,54 m - 8 ft 2 in x 5 ft 1 in	
Platform extension	1,2 m - 47 in	
Drive speed	0,8 / 5,5 km/h - 0,5 / 3,4 mph	
Outside turning radius	3.73 m - 12 ft 3 in	
Inside turning radius	1,45 m - 4 ft	
Lift / lower speed (s)	40 / 45 sec.	
Power source	Deutz 18kW - 24.5 hp	
Gradeability	40%	
Brakes	Hydraulic	
Tyres (foam filled)	26 x 12-12	
Hydraulic tank	80 l - 17,6 gal	
Fuel tank	30 l - 6,60 gal	
Weight	3 830 kg	8580 lb

AS1418.10



Authorised Reseller : Shakti Equipments Pvt. Ltd.

Block No. 140, Near Vitawa Octroi Naka, Thane Belapur Road, Vitawa, Thane West - 400 605.

Tel: +91 - 22 - 2542 0127 Email: info@shaktiequipments.com