

H 25 TPX



- +70° / -70° fly jib.
- Standard 4 wheel drive.
- 507 lb (230 kg) platform capacity.
- 1ft 1in (35 cm) ground clearance.



H 25 TPX

Telescopic boom

The Haulotte® advantages

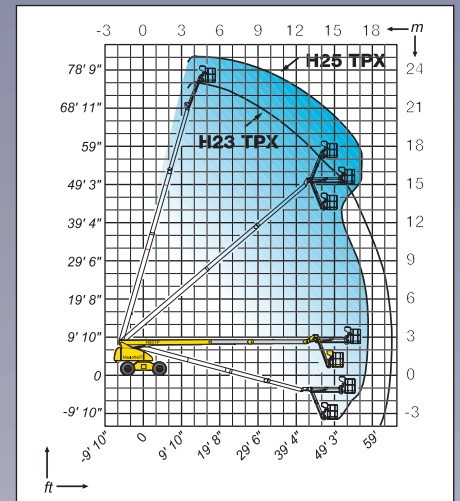
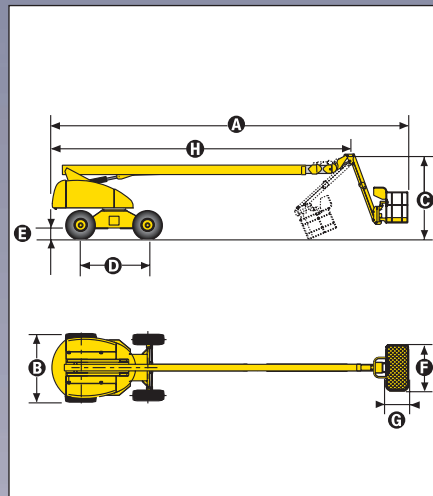
- Improved working area through a positive / negative articulating fly jib with 140° movement.
- Hydraulic differential lock and 1ft 1in (35 cm) ground clearance for improved rough terrain capability.
- Continuous 360° turntable rotation.
- 180° hydraulic platform rotation.
- Compact travel/transport dimensions.
- Full proportional controls and simultaneous boom functions improve productivity.
- Work platform overload limiter increases safety.
- Robust, reliable and easy to maintain design.

STANDARD FEATURES

- Silent pack Hatz Diesel engine
- 4 wheel drive
- 5° tilt alarm
- 24 V electrical control system
- 12 V - 95 Ah - battery
- Free wheeling device
- Electric emergency lowering system
- Safe use in winds up to 28 mph / 45 km/h
- Hourmeter
- Turret slewing lock rod
- Towing hooks / lifting eyes
- 2 hooks for safety harness in platform

OPTIONS & ACCESSORIES

- Large platform H23TPX (2.3 m x 0.8 m / 91 in X 32 in)
- 220V / 16A power line to platform
- Rotating beacon
- Flashing light
- Travel alarm
- Catalytic exhaust
- Encoded starting device
- On-board generator 3,3 kW
- Hot countries kit
- H23TPX : 250 kg (551 lb) of capacity with a wind up to 60 km/h (37 mph) (machine weight : 13,640 kg / 30,076 lb)



SPECIFICATIONS

	H25TPX
Working height	83 ft 0 in / 25.3 m
Platform height	76 ft 5 in / 23.3 m
Horizontal outreach	55 ft 5 in / 16.9 m
Platform capacity	507 lb / 230 kg
Fly jib range of motion	140° (-70°/+70°)
Jib length	7 ft 3 in / 2,2 m
A Length	43 ft 0 in / 13.1 m
B Width	8 ft 2 in / 2.48 m
C Stowed height	9 ft 10 in / 3 m
D Wheelbase	8 ft 2 in / 2.49 m
E Ground clearance	13 in / 35 cm
F x G Platform size	71 in x 32 in / 1.8 m x 0.8 m
H Travel/transport length	35 ft 5 in / 10.8 m
Tailswing	42 in / 1.1 m
Drive speed	0.9-3.1 mph / 1.5-5km/h
Outside turning radius	20 ft 2 in / 6.15m
Turntable rotation (continuous)	360°
Hydraulic platform rotation	180°
Gradeability	40%
Engine	Diesel Hatz 43.6 hp - 32.1 kW
Controls	proportional
Tyres (foram filled)	15 R 22
Hydraulic tank	40 gallons / 150 l
Fuel tank	40 gallons / 150 l
Weight	30.253 lb / 13.720 kg

AS1418.10



Haulotte

Authorised Reseller : Shakti Equipments Pvt. Ltd.

Block No. 140, Near Vitawa Octroi Naka, Thane Belapur Road, Vitawa, Thane West - 400 605.

Tel: +91 - 22 - 2542 0127 Email: info@shaktiequipments.com